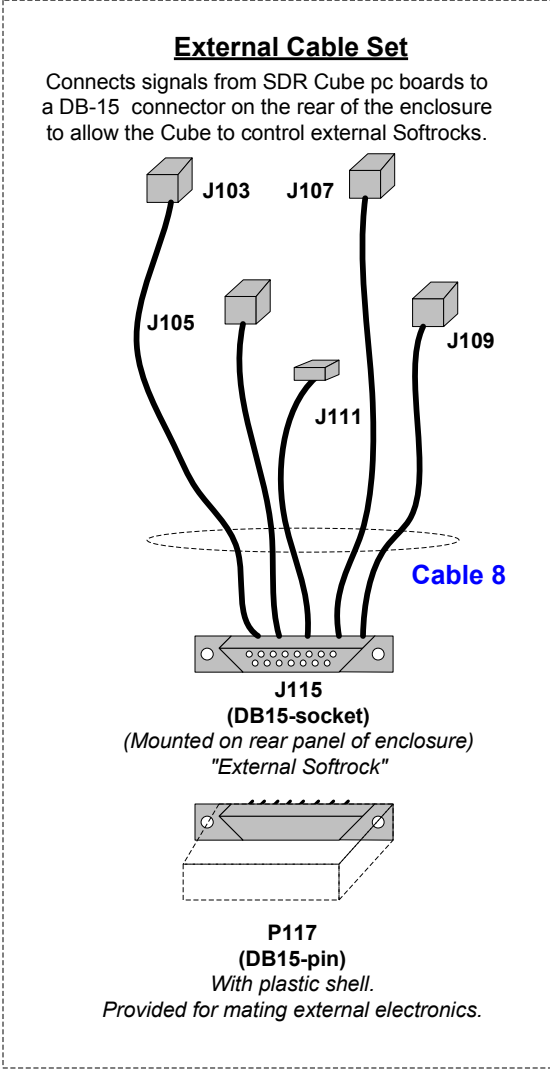
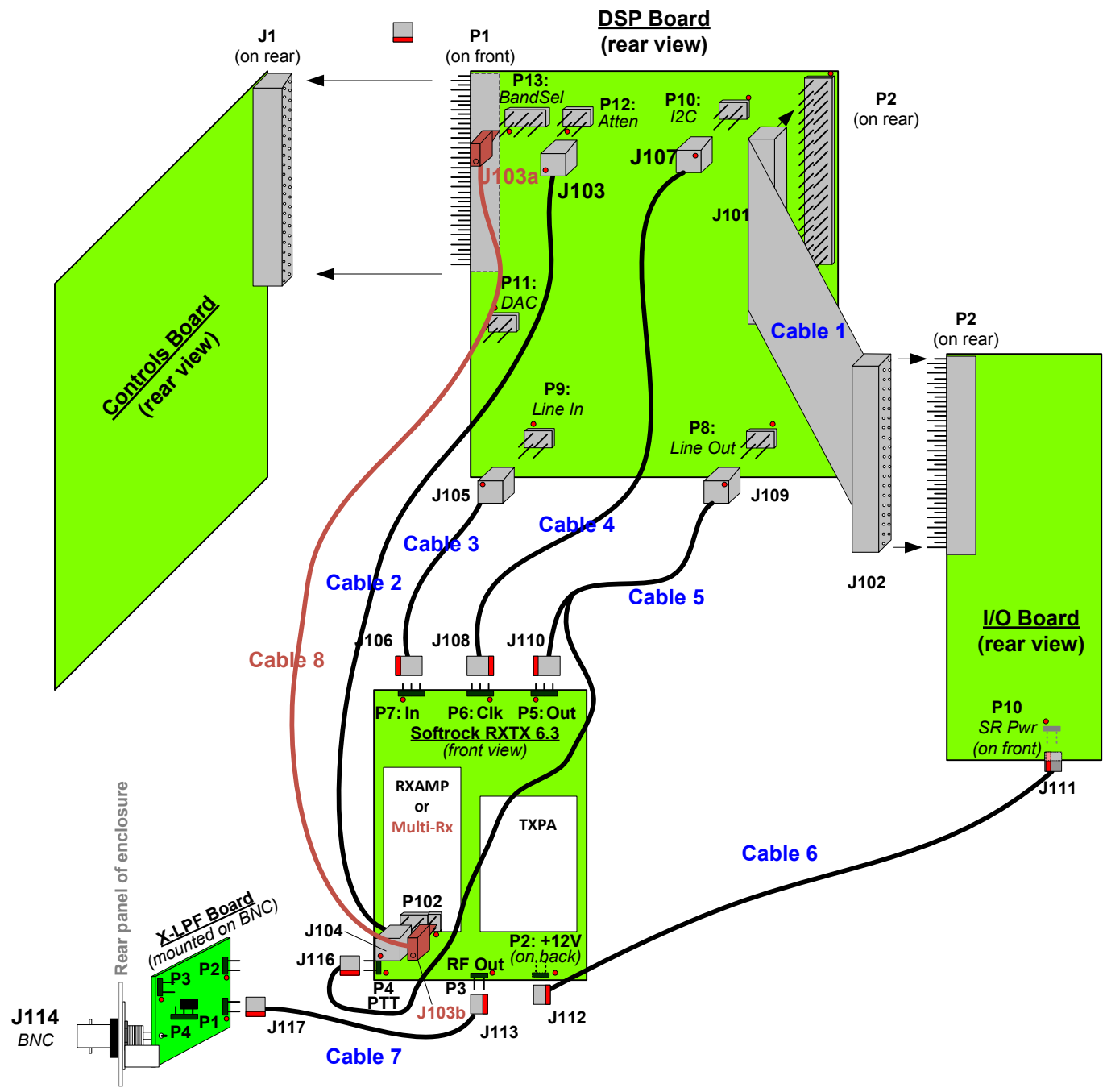




BOARD & CABLE INTERCONNECT *Using the Multi-Rx Board (instead of the RXAMP board)*

The "Internal Cable Set" connects signals from SDR Cube pc boards to the internal Softrock "RF front end".



NOTES:

- (1) The External Cable Set is actually intended for use internal to the SDR Cube enclosure to connect the signals to the "External Softrock" connector on the rear panel of the enclosure. One would either use the Internal cable set or the External cable set - but not both at the same time.
- (2) Cable 1 is included in both the Internal and External cable sets.